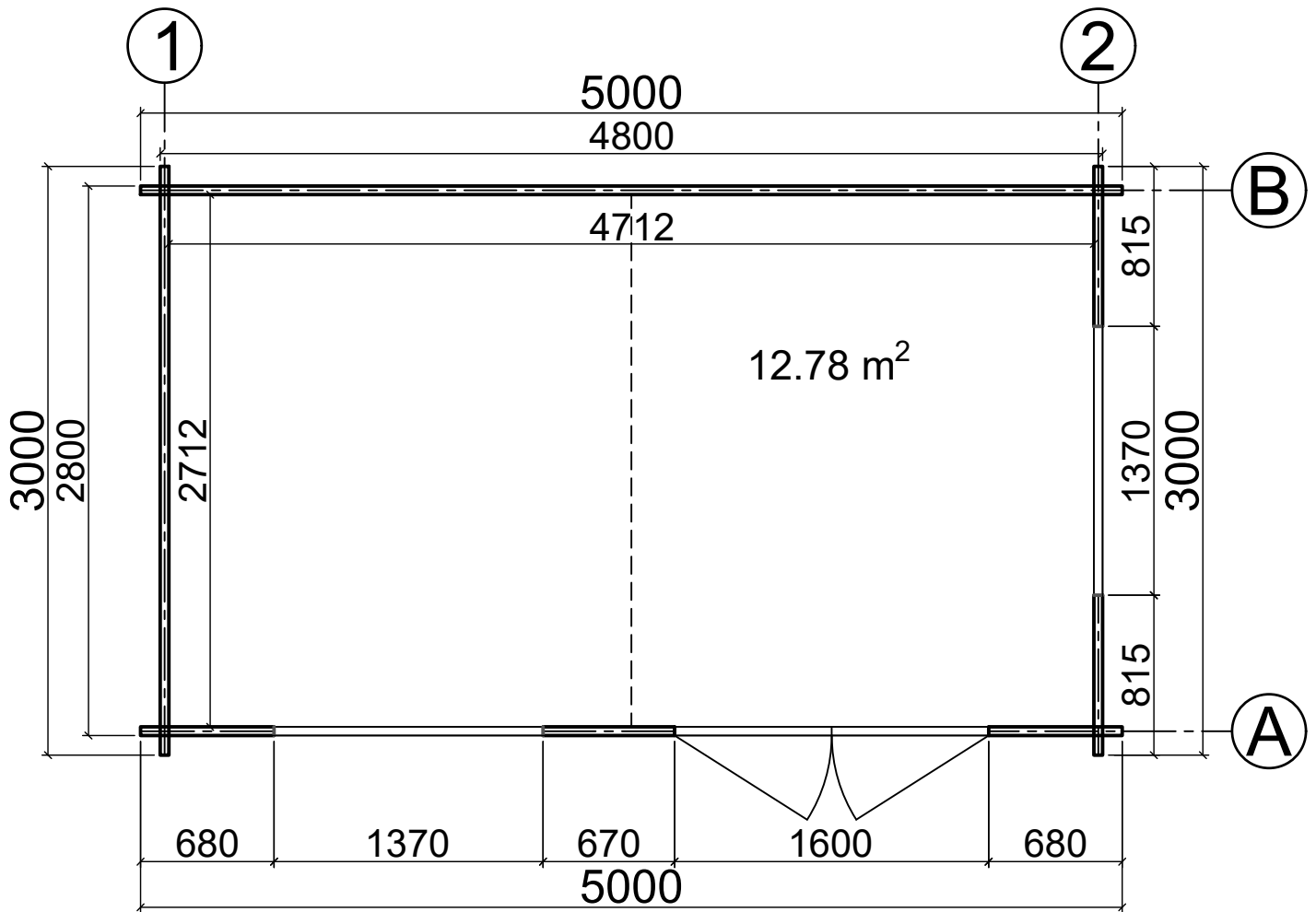
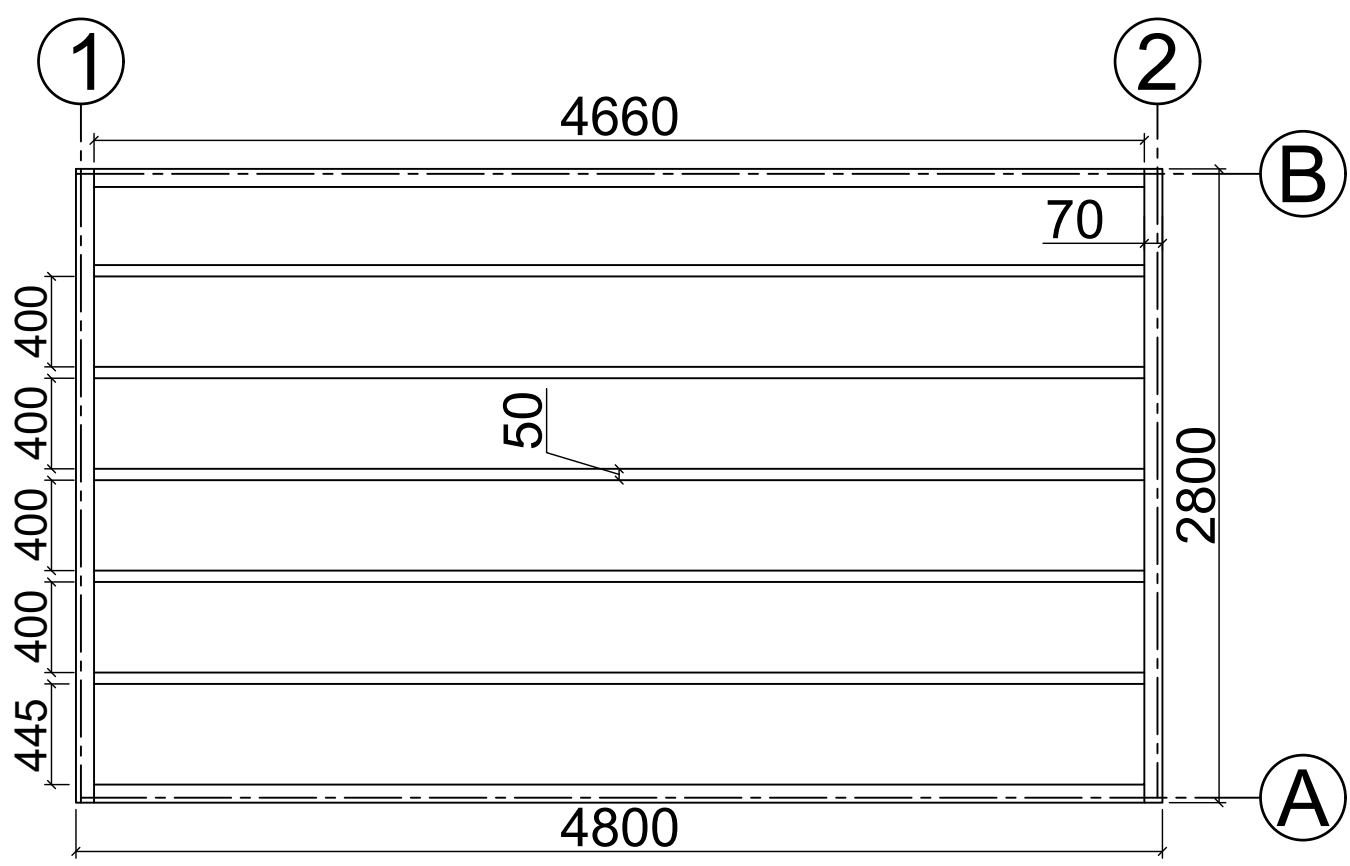


Floor plan



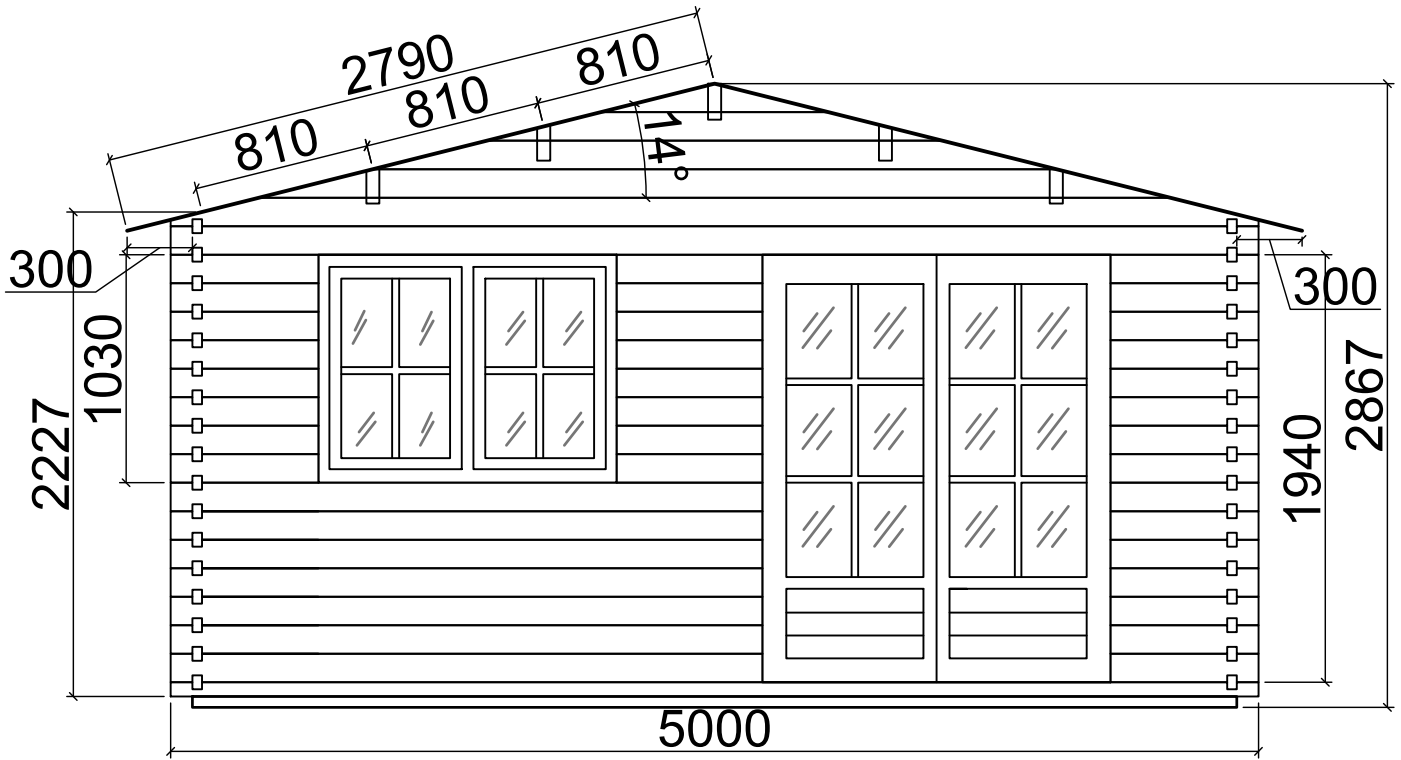
N 04 050 030
(5m x 3m) 44mm

Base plan

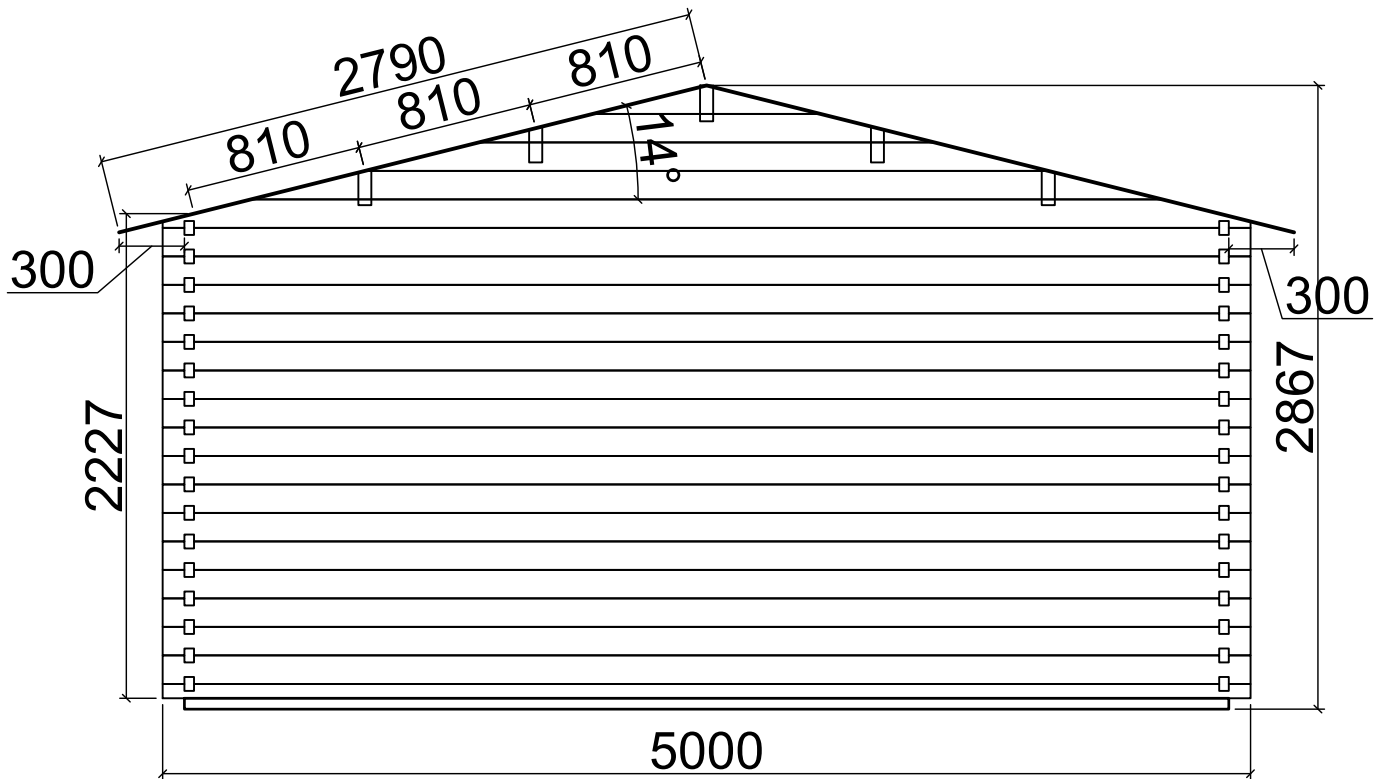


N 04 050 030
(5m x 3m) 44mm

Axis A



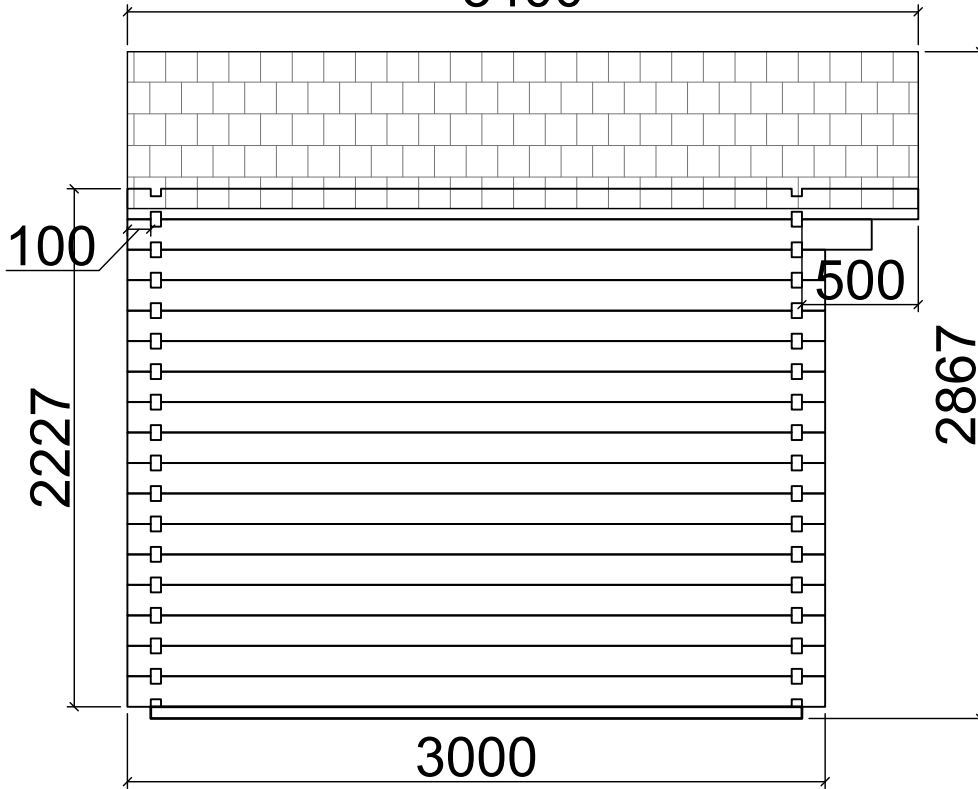
Axis B



N 04 050 030
(5m x 3m) 44mm

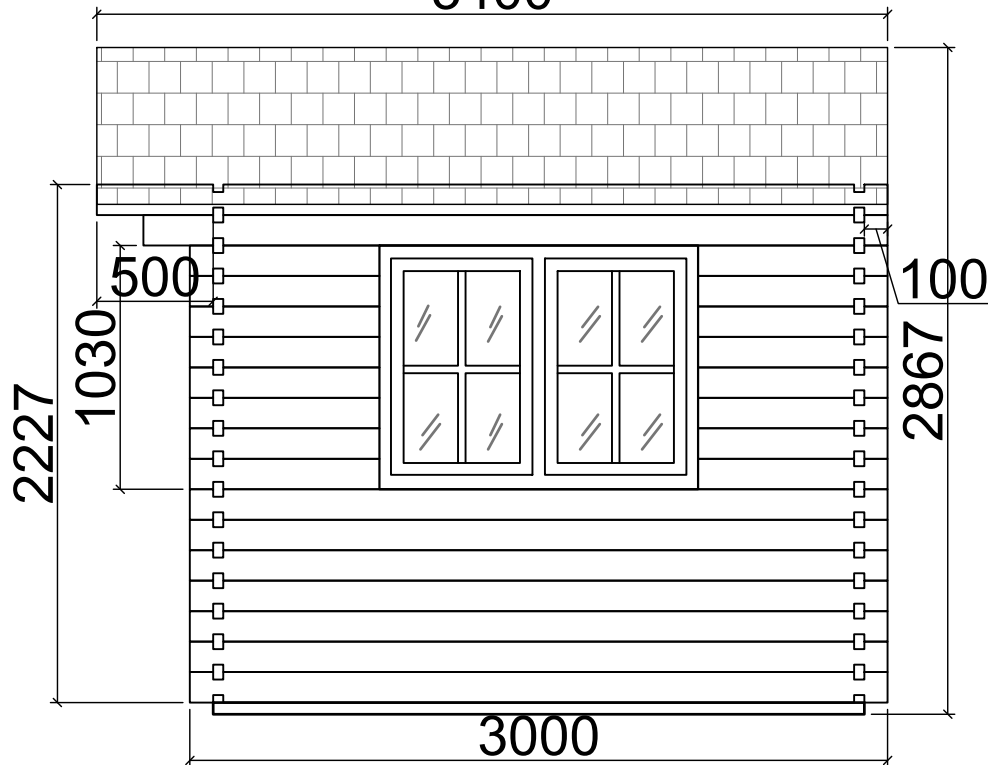
Axis 1

3400



Axis 2

3400



N 04 050 030
(5m x 3m) 44mm